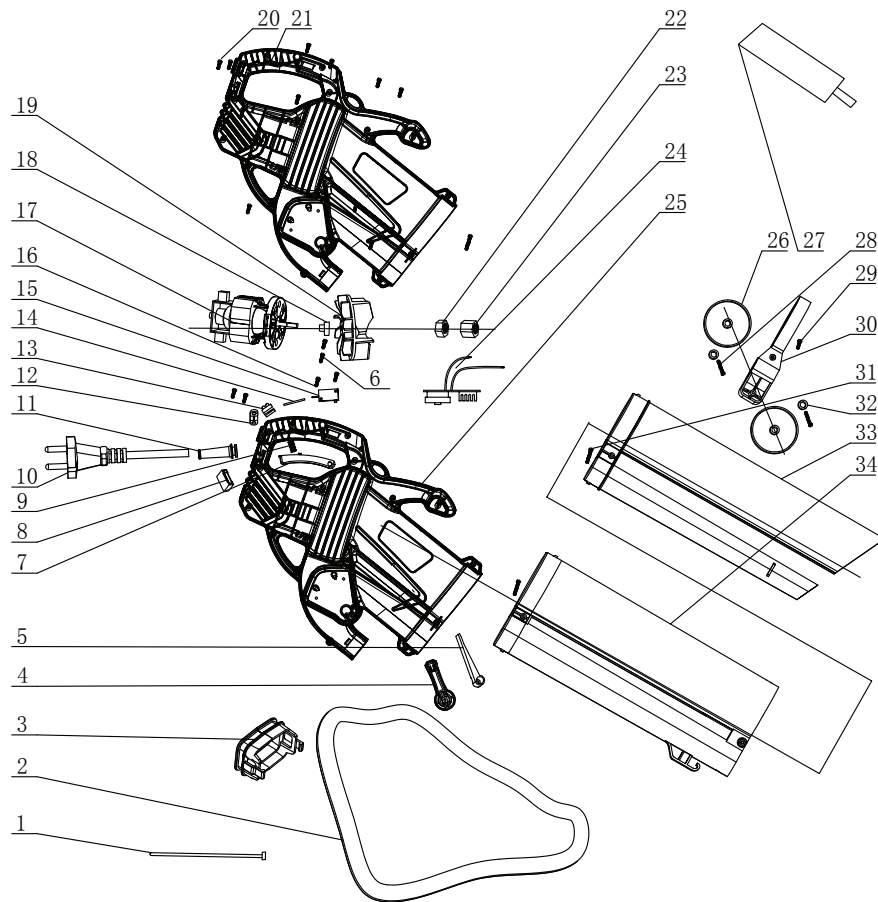


Explode Drawing of RD-EBV03



37					
36					
35					
34	7038-626001	top tube	1	PP	
33	7038-626002	bottom tube	1	PP	
32	7WF-04B	washer	1		Ø4
31	7SJJB04-50B	screw	2		ST4*50
30	7039-626001	bracket	1	PP	
29	7SJAB04-18B	screw	1		
28	7SJAA04-50B	screw	2		ST4*50
27	7042-620101	belt	1		
26	7043-620101	wheel	2	PP	
25	7004-626001	left housing	1	PP	
24	7068-620601	speed governor	1		
23	7103-620101	cap	1		
22	7NA-08B	nut	1		M8
21	7005-626001	right housing	1	PP	
20	7SJAB04-14B	screw	21		ST4*14
19	7159-624001	fan	1	PA6+30GF	
18	7072-626001	fan washer	1	45	
17	7110-626005	motor	1		
16	7SJAA03-16B	screw	2		ST3*16
15	7003-321001	on-off switch	1		
14	7010-321001	internal wire	1		
13	7056-620101	wire base	1		
12	7018-620101	press board	1	PA6+30GF	
11	7006-620101	cable sleeve	1	PVC	
10	7007-620101	cable	1	2*0.75mm2	
9	7017-321001	spring	1	65Mn	
8	7008-623001	capacitor	1		
7	7159-623001	trigger	1	ABS	
6	7SJAD04-10D	screw	2		
5	7040-624001	board	1	ABS	
4	7058-623001	button	1	ABS	
3	7039-620101	bracket	1	ABS	
2	7044-623008	collection bag	1		
1	700H-H00101	cable tie	1		5*350